

SloanLED BrightLINE 2

LED illumination for shallow, single-sided sign boxes

Specifications

Model	Part number	Color temp. (CCT)	Dimensions L x W x H	Power per strip	Efficacy	Lumens per strip	Packaging
SloanLED BrightLINE 2	Long	701989-6W24LB1	479 mm x 18 mm x 8 mm (18.875 in x 0.709 in x 0.320 in)	3.33 W	150 lm/W	500	27-unit daisy-chain per bag, 10 bags per carton
		701989-4W24LB1	4000 K				
	Short	701989-6W24SB1	160 mm x 18 mm x 8 mm (6.300 in x 0.709 in x 0.320 in)	1.11 W	150 lm/W	167	
		701989-4W24SB1	4000 K				
SloanLED BrightLINE 2 LP	Long	701989-6W24LB2	479 mm x 18 mm x 8 mm (18.875 in x 0.709 in x 0.320 in)	2.05 W	163 lm/W	333	44-unit daisy-chain per bag, 6 bags per carton
		701989-4W24LB2	4000 K				
	Short	701989-6W24SB2	160 mm x 18 mm x 8 mm (6.300 in x 0.709 in x 0.320 in)	0.68 W	163 lm/W	111	
		701989-4W24SB2	4000 K				

LEDs per strip..... Long..... 6
Short..... 2

Strips per meter / foot..... SloanLED BrightLINE 2 6.7 / 2.0
(fully spaced) SloanLED BrightLINE 2 LP .. 10.0 / 3.1

Coverage per row

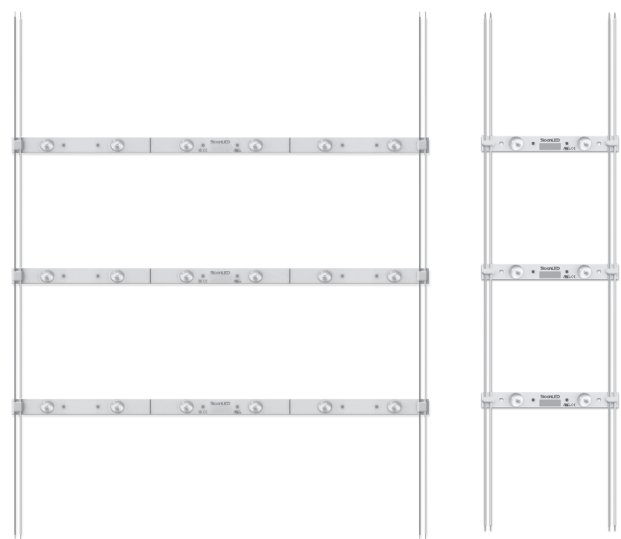
Depth	Spacing
40 mm (1.6")	100 mm (4.0")
50 mm (2.0")	120 mm (5.0")
60 mm (2.4")+	150 mm (6.0")

Operating temperature..... -40° C to +60° C

Protection class IP5X

Life rating >54,000 hours

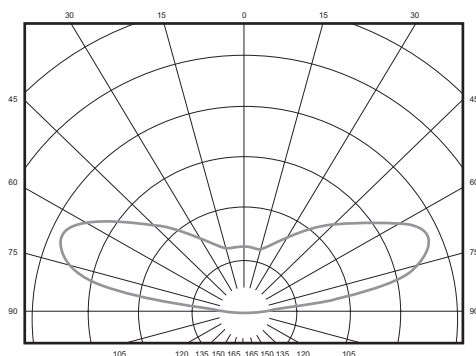
Optional dimming..... PWM (Pulse width modulation,
SloanLED Universal LED Wireless Dimmer 601115)



Power Supply Capacity

24 VDC power supply	Maximum feet (meters) / LED strips			
	SloanLED BrightLINE 2 Long 3.3 W/strip, 22 W/m (6.7 W/ft)	SloanLED BrightLINE 2 Short 1.1 W/strip, 7.4 W/m (2.2 W/ft)	SloanLED BrightLINE 2 LP Long 2.0 W/strip, 20.5 W/m (4.1 W/ft)	SloanLED BrightLINE 2 LP Short 0.7 W/strip, 6.8 W/m (1.4 W/ft)
30 W Power Supply (EU/ROW ONLY)	1.2 m (3.9 ft) / 8 strips	3.6 m (11.8 ft) / 24 strips	2.0 m (6.4 ft) / 13 strips	6.0 m (19.7 ft) / 40 strips
60 W Power Supply	2.4 m (7.9 ft) / 16 strips	7.4 m (24.1 ft) / 49 strips	3.9 m (12.8 ft) / 26 strips	11.9 m (38.9 ft) / 79 strips
96 W Power Supply	4.1 m (13.3 ft) / 27 strips	12.2 m (39.9 ft) / 81 strips	6.6 m (21.6 ft) / 44 strips	19.8 m (64.9 ft) / 132 strips
3 x 96 W Power Supply	3 x 4.1 m (13.3 ft) / 27 strips	3 x 12.2 m (39.9 ft) / 81 strips	3 x 6.6 m (21.6 ft) / 44 strips	3 x 19.8 m (64.9 ft) / 132 strips
100 W Power Supply	4.1 m (13.3 ft) / 27 strips	12.2 m (39.9 ft) / 81 strips	6.6 m (21.6 ft) / 44 strips	19.8 m (64.9 ft) / 132 strips
150 W Power Supply (EU/ROW ONLY)	6.2 m (20.2 ft) / 41 strips	18.3 m (60.0 ft) / 122 strips	9.9 m (32.5 ft) / 66 strips	29.7 m (97.4 ft) / 198 strips

Luminous Intensity Distribution

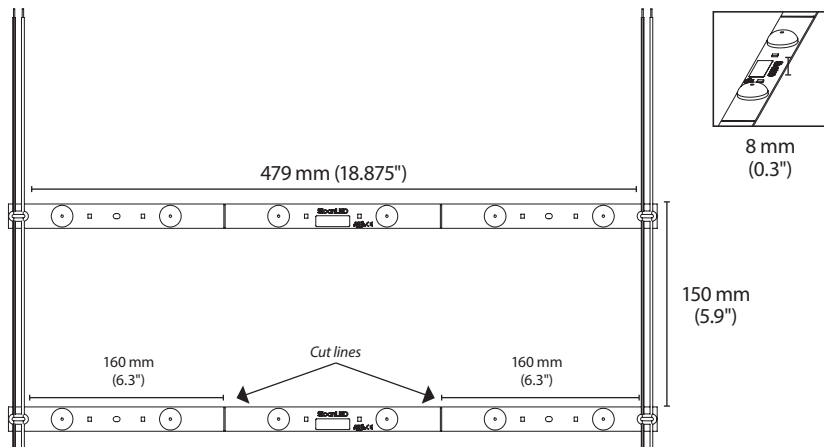


SloanLED BrightLINE 2

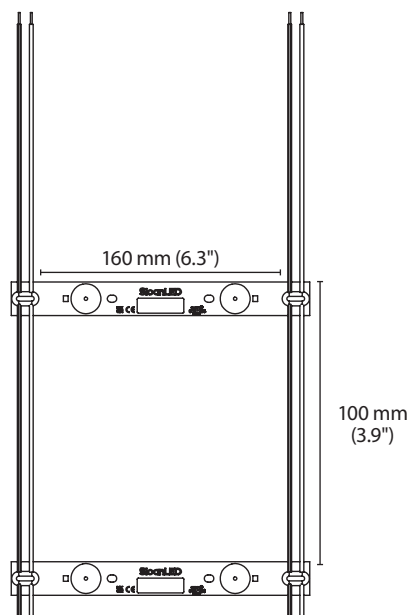
LED illumination for shallow, single-sided sign boxes

Dimensions

**SloanLED BrightLINE 2 &
SloanLED BrightLINE 2 LP Long**



**SloanLED BrightLINE 2 &
SloanLED BrightLINE 2 LP Short**



SloanLED Headquarters
5725 Olivas Park Drive, Ventura, CA, USA
805.676.3200 • info@SloanLED.com

SloanLED Europe b.v.
Argonstraat 110, 2718 SN Zoetermeer, NL
+31 88 12 44 900 • europe@SloanLED.com

SloanLED.com     